



ZHEJIANG HANGCHA IMP. & EXP. CO., LTD.

Factory site: 666 Xiangfu Road,
Hangzhou, Zhejiang, China (311305)

Tel: +86-571-88926735 88926755
Fax: +86-571-88926789 88132890

sales@hcforklift.com
www.hcforklift.com



Follow us on
Facebook



Follow us on
YouTube



Follow us on
WeChat



Download "Hangcha
Forklift" App



ISO14001:2015



ISO9001:2015



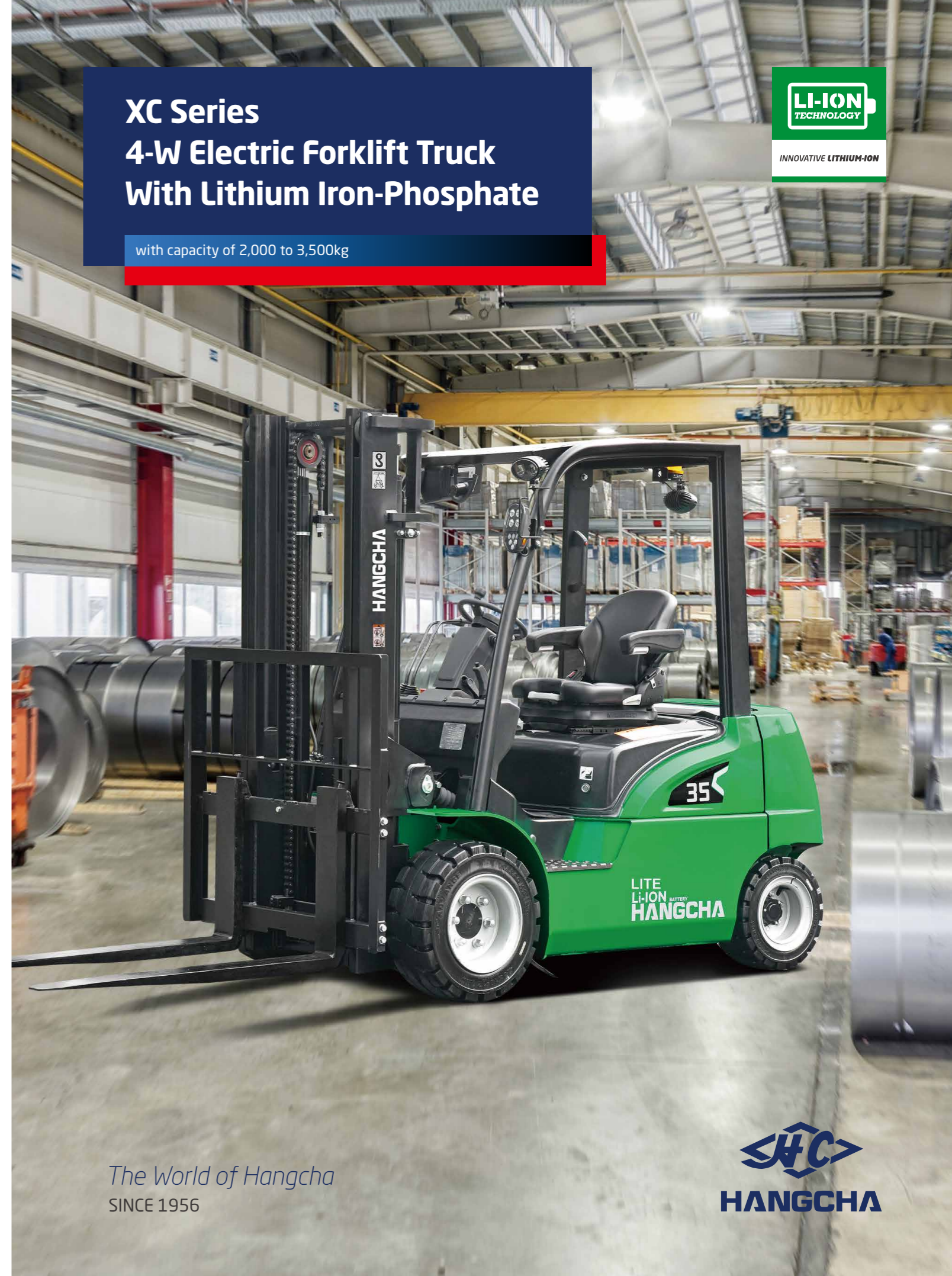
HANGCHA trucks conform
to the European Safety
Requirements.

2022 VERSION 2/COPYRIGHT 2022/04

HANGCHA GROUP CO., LTD. reserves the right to make any changes without notice concerning colors, equipment, or specifications detailed in this brochure, or to discontinue individual models. The colors of trucks, delivered may differ slightly from those in brochures.

XC Series 4-W Electric Forklift Truck With Lithium Iron-Phosphate

with capacity of 2,000 to 3,500kg



The World of Hangcha
SINCE 1956



INNOVATIVE SOLUTIONS NEW POWER NOW

The XC series new energy electric forklifts, covering range from 2.0t to 3.5t, is a series of products with new chassis launched by HANGCHA.

Innovative, reliable lithium-ion technology, which are developed jointly by HANGCHA and CATL. Battery cells and modules are from CATL, with reliable quality, exclusively for HANGCHA.

Rapid charging and opportunity charging ensure continuous availability of trucks.

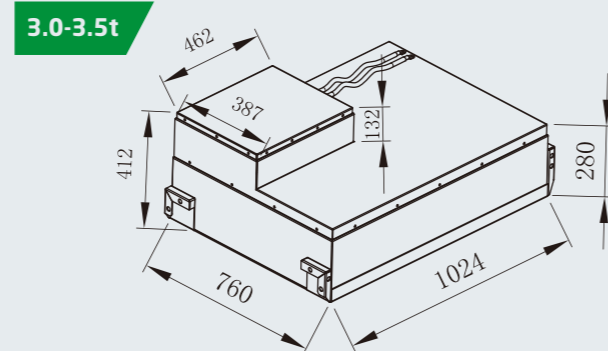
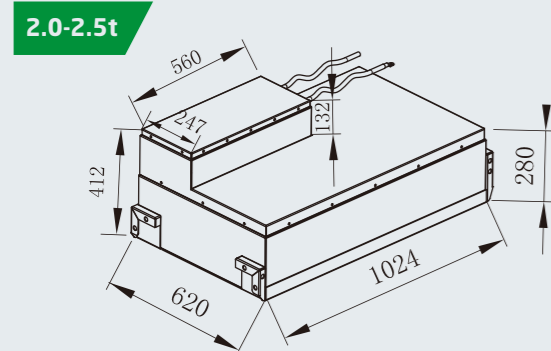
Lightweight design, flexible, high level of energy efficiency, maintenance-free, long service life.



High capacity CATL battery packs

Integrated Battery Management System (BMS) continually monitors energy management and ensures reliable operation. HANGCHA provides Li-Ion battery with 5 years or 10000 hours warranty.

		Battery capacity (kW·h)
Pack1	2.0 - 2.5t: standard	80V*202Ah, 16.16Kwh
Pack2	3.0 - 3.5t: standard	80V*271Ah, 21.68Kwh



Excellent Ergonomic Design

- / The truck has a large operating space more than **50%** larger than the traditional electric truck.
- / The dashboard in the driver's cab is placed overhead and can be seen when the driver lifts her/his head, and the function buttons can be pressed easily.
- / For the optional integrated fingertip control system, the combined operating armrest integrates the emergency cut-off, horn and quadruple thumb switches, etc., is electrically controlled through the CAN bus and is highly reliable.
- / The enlarged brake pedal and appropriate regenerative braking function can effectively reduce the driver's fatigue.



Advantages



The rear axle is provided with a flexible suspension system (for standard configuration and automatic deceleration at turns improve the driver's comfort).

The high-frequency MOSFET integrated controller ensures smooth and accurate driving and lifting control, and has excellent speed regulation performance, good performance of electronic control matching the motor, functions of regenerative braking, reverse braking and anti-sliding on ramps, etc., and high safety and reliability.

The ultra-high power AC traction motor has a bridge structure. An ultra-high power AC pump motor is used. The system has high efficiency, complete protection functions, built-in speed and temperature sensors, and greatly improved reliability and life.

**RELIABLE
TRUCKS**



**5 YEARS
WARRANTY**

Easy operations and maintenance

Internal Components Protected with Fully-sealed Hood, controllers, motors electrical components, etc. are sealed from dust and water.



IPX4 water resistance rating, suitable for outdoor operation



The hood can be opened at a large angle facilitating the maintenance.





Safety

The optional OPS system can disable the lowering when the driver leaves the seat and enable high safety.

The standard configuration provides soft landing system. In addition, an optional lift buffering system is provided to protect the goods from falling and damaging the ground.

The handbrake can be optionally equipped with an alarm buzzer to prompt the driver to pull up the handbrake before leaving the truck.



Three horn buttons are provided, which are respectively on the driver's steering wheel, thumb switch equipped armrest (optional) and reverse armrest (optional), for alerting and protecting the surrounding people.



A PIN code should be provided before entering the system. 99 sets of PIN codes are available for the administrator. The truck is highly secured and irrelevant personnel cannot start the truck.



IP67 Protection Rating



Quick charge < 2.0h

Comfort

Owing to the low center of gravity and good stability, the driver feels comfortable during turning.

The ergonomically designed adjustable steering wheel makes the driver feel good. The seat can be adjusted back and forth by 210mm. The operator can choose the best driving position.

New designed mast increases the wide view by 15%.

With friendly human-computer interfaces, the 4.33" True Color Screen instruments have good visibility and clear readings.

Silence, no pollution, energy saving and other advantages meet the environmental protection requirements.



Grammer fingertip (Optional)



Main Accessories

The main electrical components such as the controller, contactor, power plug, emergency cut-off switch, dashboard, accelerator, are all products of well-known world brands.

The emergency cut-off switch equipped for the standard configuration complies with EU regulations.

The truck has passed the CE certification.



Options

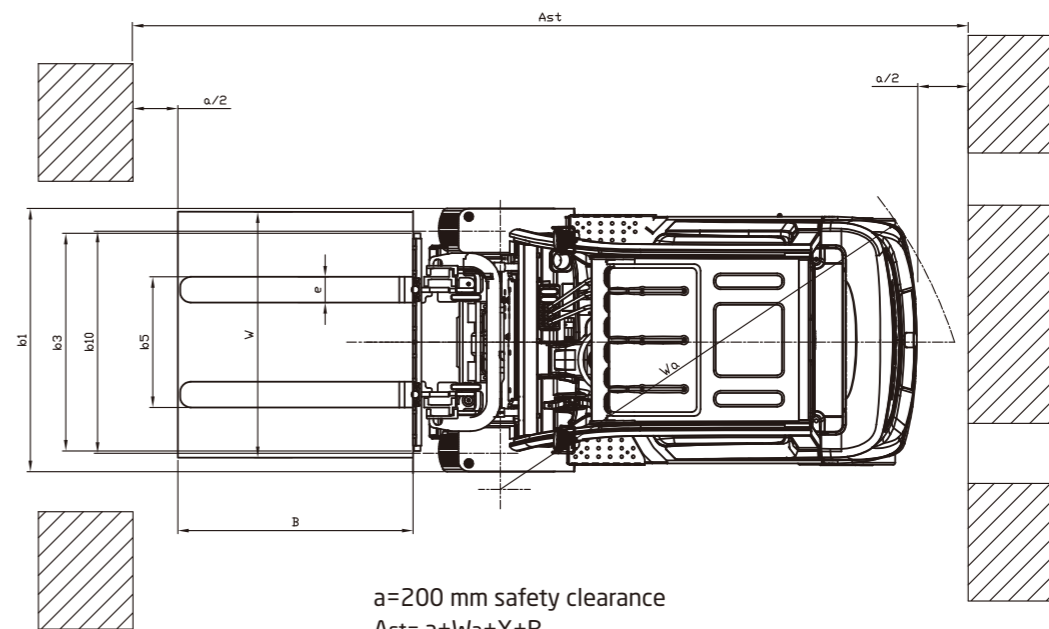
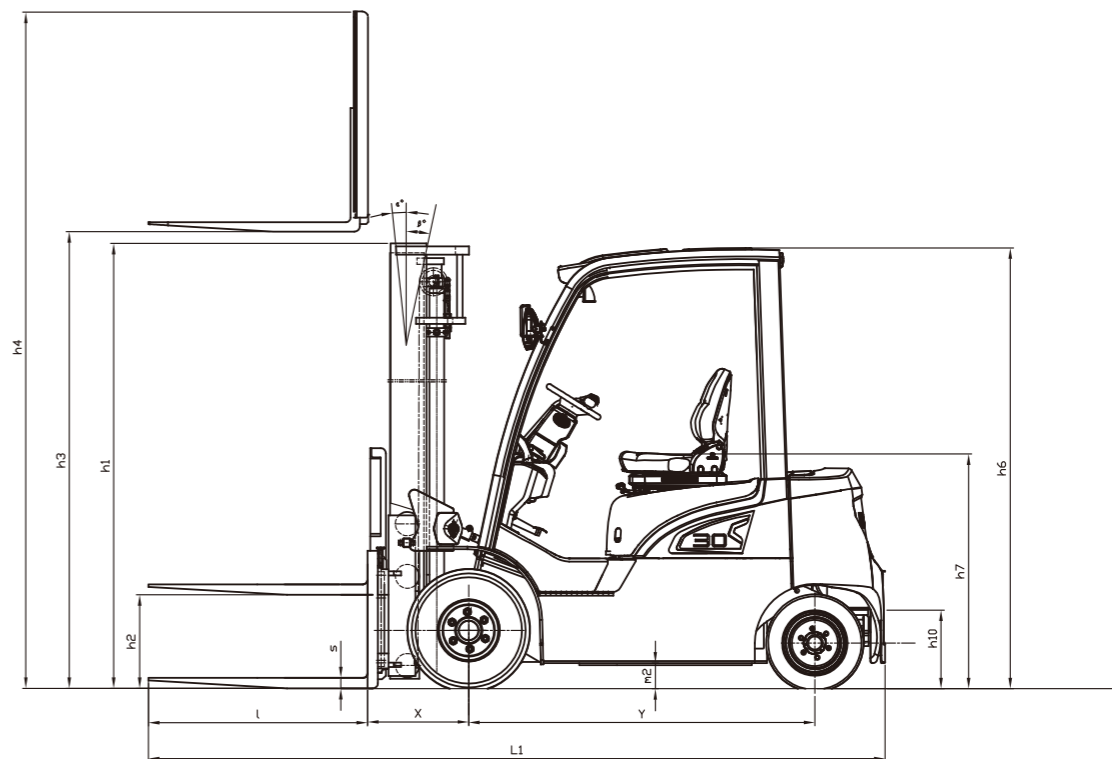
- / Lithium packs that can be replaced quickly
- / Pin code or card
- / Super elastic tyre
- / Marked solid tyre
- / Left and right rear view mirrors
- / Backup camera
- / Front/rear blue lights
- / Rear working lights
- / Charger (Titan or Schneider)
- / Reverse armrest
- / Hood with a key lock
- / OPS system
- / Lift buffering system
- / Multi way valves
- / Integrated fingertip control system
- / Widened / heightened load backrest
- / Widened fork carriage
- / Other length forks
- / Full free duplex mast
- / Full free triplex mast
- / Sideshifter
- / Other attachments
- / Grammer MSG531 suspension seat
- / Automatic deceleration at turns

Standard specification

- / Lithium packs with low temperature electric heating systems
- / High-power AC drive motor
- / High-power AC pump motor
- / Low noise gear pump
- / Multi-function color screen instrument cluster
- / Large integral rubber pedal pad
- / LED combination headlights, LED rear combination taillights
- / Stamped iron hood
- / Soft landing system
- / SPE power selection
- / Charging muzzle meeting national standards
- / Electronic cooling fan
- / Emergency cut-off switch
- / Reversing buzzer
- / Traction pin
- / Folder
- / Load sensing steering system
- / Duplex mast
- / Tilt cylinder jacket

XC Series Electric Forklift

		HANGCHA GROUP CO.,LTD.					
Distinguishing mark	1.1	Manufacturer					
	1.2	Manufacturers type designation	CPD20-XD4-SI21	CPD25-XD4-SI21	CPD30-XD4-SI21	CPD35-XD4-SI21	
	1.3	Drive: electric (battery or mains), diesel, petrol, fuel gas	Electric	Electric	Electric	Electric	
	1.4	Operator type: hand, pedestrian, standing, seated, order-picker	Seated	Seated	Seated	Seated	
	1.5	Load capacity/rated load	Q (kg)	2000	2500	3000	3500
	1.6	Load centre distance	c (mm)	500	500	500	500
	1.7	Load distance, centre of drive axle to fork	x (mm)	444	444	477	482
	1.8	Wheelbase	y (mm)	1520	1520	1650	1650
Weight	2.1	Service Weight	kg	3620	3920	4740	5080
	2.2	Axle loading, laden front/rear	kg	5040/680	5820/700	6745/1095	7800/880
	2.3	Axle loading, unladen front/rear	kg	1620/2000	1670/2250	2010/2730	2100/2980
Tyres, chassis	3.1	Tyres: solid rubber, super elastic, pneumatic, polyurethane	Pneumatic				
	3.2	Tyre size, front	23×9-10				
	3.3	Tyre size, rear	18×7-8				
	3.4	Wheels, number front rear (x = driven wheels)	2x/2				
	3.5	Tread, front	b ₁₀ (mm)	1068	1068	1068	1068
	3.6	Tread, rear	b ₁₁ (mm)	960	960	960	960
Dimensions	4.1	Tilt of mast/fork carriage forward/backward	a/β(°)	6/12	6/12	6/12	6/12
	4.2	Height, mast lowered	h ₁ (mm)	2001	2001	2151	2151
	4.3	Free lift	h ₂ (mm)	140	140	140	145
	4.4	Lift	h ₃ (mm)	3000	3000	3000	3000
	4.5	Height, mast extended	h ₄ (mm)	4040	4040	4135	4135
	4.7	Height of overhead guard STD.	h ₆ (mm)	2100	2100	2100	2100
	4.8	Seat height/stand height	h ₇ (mm)	1120	1120	1120	1120
	4.9	Coupling height	h ₁₀ (mm)	430	430	430	430
	4.10	Overall length	l ₁ (mm)	3370	3370	3550	3550
	4.11	Length to face of forks	l ₂ (mm)	2300	2300	2480	2480
	4.12	Overall width	b ₁ (mm)	1252	1252	1252	1298
	4.13	Fork dimensions	s/e/l (mm)	40/122/1070	40/122/1070	45/122/1070	50/122/1070
	4.14	Fork carriage DIN 15 173 --- ISO 2328, class/type A,B		ISO2328 2A	ISO2328 2A	ISO2328 3A	ISO2328 3A
	4.15	Fork-carriage width	b ₃ (mm)	1038	1038	1100	1100
	4.16	Distance between fork-arms	b ₅ (mm)	290/1100	290/1100	290/1100	290/1100
4.17	Ground clearance, laden, below mast	m ₁ (mm)	120	120	120	120	
4.18	Ground clearance, centre of wheelbase	m ₂ (mm)	125	125	125	125	
4.19	Aisle width for pallets 1000 x 1200 crossways	A _{st} (mm)	3734	3734	3950	3955	
4.20	Aisle width for pallets 800 x 1200 Lengthways	A _{st} (mm)	3934	3934	4150	4155	
4.21	Turning radius	W _a (mm)	2090	2090	2270	2270	
4.22	Internal turning radius	b ₁₃ (mm)	655	655	730	730	
Performance Data	5.1	Travel speed, laden/unladen	km/h	14/15	14/15	14/15	14/15
	5.2	Lift speed, laden/unladen	m/s	0.350/0.450	0.3500/0.450	0.330/0.430	0.330/0.430
	5.3	Lowering speed, laden/unladen	m/s	0.450/0.420	0.470/0.420	0.450/0.420	0.470/0.420
	5.4	Drawbar pull, laden/unladen	N	13000/14000	17000/18000	20000/21000	20500/21000
	5.5	Max. Drawbar pull, laden/unladen	N	15000	19000	20000	20000
	5.6	Gradeability, laden/unladen	%	14/15	14/15	14/15	14/15
	5.7	Service brake		Hydraulic	Hydraulic	Hydraulic	Hydraulic
	5.8	Parking brake		Mechanical	Mechanical	Mechanical	Mechanical
Electric engine	6.1	Drive motor rating S2 60 min	kW	11AC	11AC	11AC	11AC
	6.2	Lift motor rating at S3 15%	kW	21AC	21AC	21AC	21AC
	6.3	Battery voltage, Std.	V/Ah	80/202	80/202	80/271	80/271
	6.4	Standard Weight of lithium iron phosphate battery	kg	200	200	240	240
	6.5	Min. battery weight	kg	200	200	240	240
		Max. battery weight	kg	280	280	380	380
	6.6	Type of drive control		MOSFET/AC	MOSFET/AC	MOSFET/AC	MOSFET/AC
	6.7	Manufacturer		INMOTION	INMOTION	INMOTION	INMOTION
6.8	Control Model		ACS80M-35P+ ACS80M-23P	ACS80M-35P+ ACS80M-23P	ACS80L-440C-35P+ ACS80M-23P	ACS80L-440C-35P+ ACS80M-23P	
Addition data	7.1	Operating pressure for attachments	bar	175	175	175	175
	7.2	Oil volume for attachments	l/min	65	65	65	65
	7.3	Hydraulic Tank - capacity (drain & refill)	liter	28	28	28	28
	7.4	Sound level at the driver's ear according to EN / DIN 12 053	dB (A)	75	75	75	75
	7.5	Towing coupling, type DIN		Φ25 Pin	Φ25 Pin	Φ25 Pin	Φ25 Pin



a=200 mm safety clearance
A_{st}= a+W_a+X+B

3M duplex mast

