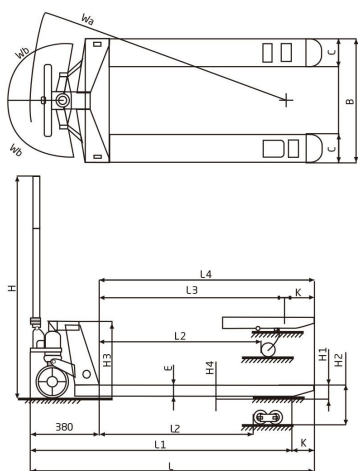




HD Series Hand Pallet Truck

with capacities of 2,000 to 3,000kg

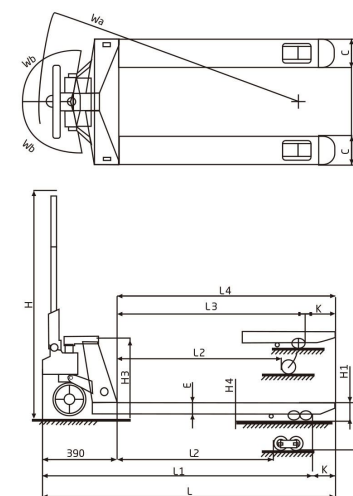


Specification:

Model	Unit	CBY20-HD	CBY25-HD	CBY30-HD			
Rated Load	Kg	2000	2500	3000			
Size		685×1220 550×1150	685×1220 550×1150	685×1220 550×1150			
Distance Between Fork-arms	B mm	685	550	685	550		
Fork Length	L4 mm	1220	1150	1150	1150		
Turning radius	Wa mm	1420	1350	1420	1350		
Overall Length	L mm	1600	1530	1600	1530		
Service Weight	Kg	70	65	75	70	80	75
Fork Size	C×E mm	160×50		160×60			
Lowered Height	H1 mm	75					
Lifting Height	H2 mm	190					
Wheel Size Rear (single)	mm	∅74×93					
Wheel Size Rear (tandem)	mm	∅74×70					
Wheel Size Front	mm	∅180×50					
Overall Height	H mm	1230					

HA Series Hand Pallet Truck

with capacities of 2,000 to 3,000kg



Specification:

Model	Unit	CBY20-HA	CBY25-HA	CBY30-HA			
Rated Load	Kg	2000	2500	3000			
Size		685×1220 540×1150	685×1220 540×1150	685×1220 540×1150			
Distance Between Fork-arms	B mm	685	540	685	540		
Fork Length	L4 mm	1220	1150	1150	1150		
Turning radius	Wa mm	1440	1370	1440	1370		
Overall Length	L mm	1610	1540	1610	1540		
Service Weight	Kg	70	65	75	70	80	75
Fork Size	C×E mm	160×50		160×60			
Lowered Height	H1 mm	85/75					
Lifting Height	H2 mm	200/190					
Wheel Size Rear (single)	mm	∅80×93/∅74×93					
Wheel Size Rear (tandem)	mm	∅74×70/∅74×70					
Wheel Size Front	mm	∅180×50					
Overall Height	H mm	1240					



Hand Pallet Truck SBA25

with capacities of 2,500 to 3,500kg

Introduction

Innovation Design

Reduce maintenance cost

Improve working efficiency

Increase truck service life

- / High reliability, suitable for a variety of environments. It can be used for 3~5 years under normal maintenance.
- / Casting pump, which prevents any loosening and leakage.
- / High-strength alloy steel fork frame.
- / Set the active safety valve to prevent overloading of operation.
- / 54mm fork thickness ensures high capacity.

- / Optimized round fork tips ensures easy operation;
- / 54mm fork thickness ensures high capacity;
- / Curve design on the fork tips help pallets entry in/out.



Hand Pallet Truck SBA25

Model		SBA		
Load capacity/rated load	Q (kg/lb)	2500/5512	3000/6614	3500/7716
Load centre distance	C (mm/in)	500/20	500/20	500/20
Wheel size, front	mm/in	φ180×50 / φ7×2	φ180×50 / φ7×2	φ180×50 / φ7×2
Wheel size rear (single)	mm/ (in)	φ80×93/74×93 (φ3×3.7/2.9×3.7)	φ80×93/74×93 (φ3×3.7/2.9×3.7)	φ80×93/74×93 (φ3×3.7/2.9×3.7)
Wheel size rear (tandem)	mm/in	φ80×70/74×70 (φ3×2.8/2.9×2.8)	φ80×70/74×70 (φ3×2.8/2.9×2.8)	φ80×70/74×70 (φ3×2.8/2.9×2.8)
Lifting height	h ₃ mm/(in)	200/190 (7.8/7.5)	200/190 (7.8/7.5)	200/190 (7.8/7.5)
Lowered height	h ₁₃ mm/(in)	85/75 (3.4/3)	85/75 (3.4/3)	85/75 (3.4/3)
Overall length	l ₁ mm/(in)	1534/1604 (60.4/63)	1534/1604 (60.4/63)	1534/1604 (60.4/63)
Fork length	s/e/l mm [in]	54/160/1150(1220) [2.1/6.3/45(48)]	54/160/1150(1220) [2.1/6.3/45(48)]	54/160/1150(1220) [2.1/6.3/45(48)]
Distance between fork-arms	b _s mm/(in)	520/550/685 (20/22/27)	520/550/685 (20/22/27)	520/550/685 (20/22/27)
Turning radius	W _a mm/(in)	1249/1319 (49/52)	1249/1319 (49/52)	1249/1319 (49/52)

*: Option

forks length is available at 1600mm/63in, 1800mm/71in, 2000mm/79in, 2200mm/87in, 2500mm/98in



Hand Pallet Truck SBA-D20

with capacities of 2,000kg

Introduction

- / Optimized round fork tips ensure easy operation;
- / 54mm fork thickness ensures high capacity;
- / Curve design on the fork tips help pallets entry in/out.

- / Welding pump, with leaking proof design.
- / With overloading safety valve.
- / Chrome plate piston.
- / Different fork length are available.
- / Option: rubber wheel, nylon wheel, polyurethane wheel.



Lowering position:

Pull up the finger tip control handle to lower the truck.

Neutral position:

Stay the position during move.

Lifting position:

Pull down the tip control, press the handle to raise the truck.



Hand Pallet Truck SBA-D20

Model		SBA-D20
Load capacity/rated load	Q(kg/lb)	2000/4409
Load centre distance	c (mm/in)	500/20
Net weight	kg/lb	55-65 / 121-143
Wheel size, front	mm/in	Φ160×50 / Φ6×2
Wheel size rear	mm/in	Φ70×60 / Φ2.7×2.4
Lifting height	h ₂ (mm/in)	190/7.5
Height of tiller in drive position min./max.	h ₁₄ (mm/in)	1234/1224 (48.5/48)
Lowered height	h ₁₃ (mm/in)	75/3
Fork dimensions	s/e/l (mm/in)	54/150/1150(1220) [2.1/6/45(48)]
Distance between fork-arms	bs (mm/in)	520/550/685 (20/22/27)
Aisle width for pallets 1000×1200 crossways	Ast (mm/in)	1730/1800 / (68/71)
Aisle width for pallets 800×1200 crossways	Ast (mm/in)	1780/1800 / (70/71)

*: Option